



# PPP-11

## Portable Power Pack Installation Instructions

This power pack is designed for use with the following products: Lowrance® X71, X91, GlobalMap® 2400, LMS-240; Eagle® FishMark™ 160 and FishMark™ 240.

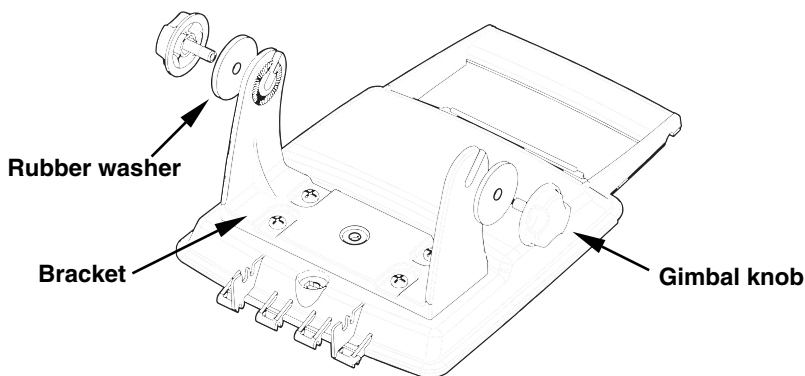
The PPP-11 package includes the power pack, battery adapter and a portable transducer. Batteries are not included. Recommended tools for installation include: a slotted screwdriver and an adjustable wrench.

The portable power pack expands the uses for your Lowrance or Eagle sonar. You can use your sonar on your boat or take it to the dock, on a float tube, on an ice fishing trip or use it as a second sonar in a friend's boat.

The power pack has a storage compartment for the portable transducer. The pack can be used with eight "D" cell alkaline batteries or an optional sealed, rechargeable battery.

### INSTALLATION

Attach the gimbal bracket to the top of the portable power pack. Next, attach the sonar unit to the bracket with the supplied washers and knobs. Make sure to slide the rubber washers onto the knobs first.



**Attach the unit to the gimbal bracket using the supplied gimbal knobs and washers as shown above.**

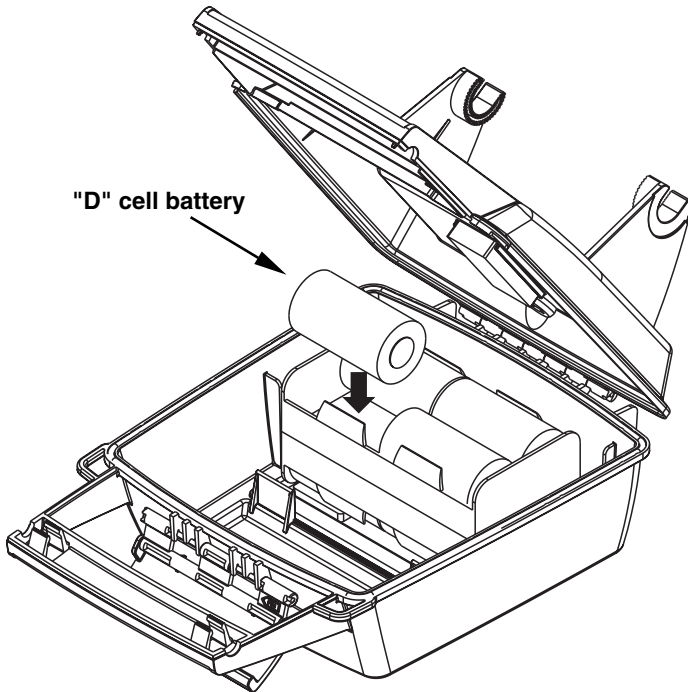
### INSTALLING THE BATTERIES

Release the latch on the front of the battery case. Open the compartment and install either an optional rechargeable battery or eight "D" cell batteries into the adapter. For the longest life, we

recommend you use alkaline batteries. After installing the batteries, close the case and plug the power cable on the battery case into the sonar unit.

Turn the sonar unit on. If it doesn't work, make certain the battery terminals are making good contact against the battery contacts. Also check the wiring connections on the D-cell battery adapter. The red wire on the power cable should be attached to the red wire on the D-cell battery adapter and the power cable's black wire should be connected to the black wire on the D-cell battery adapter.

If it still doesn't work, check the battery voltage. Most of the complaints we receive about portable units result from stale batteries. Make certain the ones you buy are fresh. Always remove batteries from the battery compartment before storing the unit as dead batteries can leak and corrode the contacts.



**Install batteries in power case battery adapter.**

In cold weather the efficiency of dry cell batteries drops with the temperature. We find it a good idea to have the sonar unit good and warm along with the batteries before we leave home.

If the batteries do lose a charge, you can sometimes restore them by placing them in a warm room or car interior. A better way is to replace them with batteries that have been kept warm.

**WARNING:**

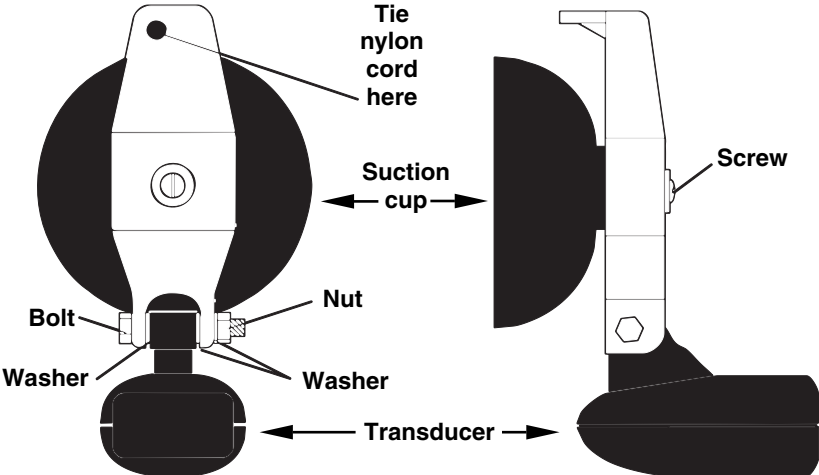
**Never heat the batteries over an open flame or direct hot air onto them. A fire or explosion could result.**

**PORTABLE TRANSDUCER ASSEMBLY**

Assemble the transducer and bracket as shown below. Attach the transducer to the bracket with the supplied hardware.

Make certain there is one washer on each side of the transducer, inside the bracket. Slide the other washer over the end of the bolt and thread the nut onto it.

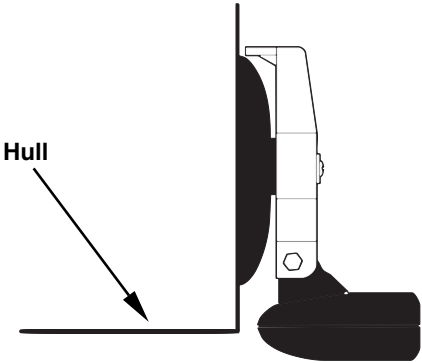
Screw the suction cup onto the bracket using the supplied screw and flat washer. Tie the nylon cord through the hole in the top of the bracket. When using this transducer, tie the other end of the nylon cord to the boat. This will help prevent the loss of the transducer if it comes off the boat.



**Portable transducer assembly: rear view (left) and side view (right.)**

Clean the chosen area of the hull before attaching the suction cup. Locate the transducer on the hull as shown on the next page. Don't allow the bracket to extend below the hull, because water pressure against it can cause the suction cup to come off at speed.

Moisten the cup, then press it onto the hull as firmly as possible. Tie the nylon cord to the boat and route the transducer cable to the sonar unit. Your portable sonar is now ready for use.



**Portable transducer installed on boat transom.**

## **LOWRANCE ELECTRONICS FULL ONE-YEAR WARRANTY**

"We," "our," or "us" refers to LOWRANCE ELECTRONICS, INC., the manufacturer of this product. "You" or "your" refers to the first person who purchases this product as a consumer item for personal, family or household use.

We warrant this product against defects or malfunctions in materials and workmanship, and against failure to conform to this product's written specifications, all for one (1) year from the date of original purchase by you. WE MAKE NO OTHER EXPRESS WARRANTY OR REPRESENTATION OF ANY KIND WHATSOEVER CONCERNING THIS PRODUCT. Your remedies under this warranty will be available so long as you can show in a reasonable manner that any defect or malfunction in materials or workmanship, or any non-conformity with the product's written specifications, occurred within one year from the date of your original purchase, which must be substantiated by a dated sales receipt or sales slip. Any such defect, malfunction, or non-conformity which occurs within one year from your original purchase date will either be repaired without charge or be replaced with a new product identical or reasonably equivalent to this product, at our option, within a reasonable time after our receipt of the product. If such defect, malfunction, or non-conformity remains after a reasonable number of attempts to repair by us, you may elect to obtain without charge a replacement of the product or a refund for the product. THIS REPAIR, OR REPLACEMENT OR REFUND (AS JUST DESCRIBED) IS THE EXCLUSIVE REMEDY AVAILABLE TO YOU AGAINST US FOR ANY DEFECT, MALFUNCTION, OR NON-CONFORMITY CONCERNING THE PRODUCT OR FOR ANY LOSS OR DAMAGE RESULTING FROM ANY OTHER CAUSE WHATSOEVER. WE WILL NOT UNDER ANY CIRCUMSTANCES BE LIABLE TO ANYONE FOR ANY SPECIAL, CONSEQUENTIAL, INCIDENTAL, OR OTHER INDIRECT DAMAGE OF ANY KIND.

Some states do not allow the exclusion or limitation of incidental or consequential damages, so the above limitations or exclusions may not apply to you.

This warranty does NOT apply in the following circumstances: (1) when the product has been serviced or repaired by anyone other than us; (2) when the product has been connected, installed, combined, altered, adjusted, or handled in a manner other than according to the instructions furnished with the product; (3) when any serial number has been effaced, altered, or removed; or (4) when any defect, problem, loss, or damage has resulted from any accident, misuse, negligence, or carelessness, or from any failure to provide reasonable and necessary maintenance in accordance with the instructions of the owner's manual for the product.

We reserve the right to make changes or improvements in our products from time to time without incurring the obligation to install such improvements or changes on equipment or items previously manufactured.

This warranty gives you specific legal rights and you may also have other rights which may vary from state to state.

REMINDER: You must retain the sales slip or sales receipt proving the date of your original purchase in case warranty service is ever required.

**LOWRANCE ELECTRONICS  
12000 E. SKELLY DRIVE, TULSA, OK 74128  
(800) 324-1356**

LEI Extras™, Inc. is the accessory source for GPS and sonar products manufactured by Lowrance Electronics and Eagle Electronics. Here's how to contact us:

Visit our web site  
**[www.lei-extras.com](http://www.lei-extras.com)**.

Call us toll-free from within the U.S.

**800-324-0045**

8 a.m. to 5 p.m. Central Standard Time, M-F.

Write to us at  
**LEI Extras, Inc.**  
**PO Box 129, Catoosa, OK 74015-0129**



Pub. 988-0147-46

Printed in USA 121801

© Copyright 2001  
All Rights Reserved  
LEI Extras, Inc.